

Dynamic TWO

Canna fumaria in doppia parete coibentata per uso esterno.

Double wall insulated chimney system for outdoor.

Système de cheminée isolée à double paroi pour l'extérieur.

PLUS e CARATTERISTICHE TECNICHE:

- parete interna in acciaio inox AISI 316L spessore 0,5 mm
- parete esterna in acciaio inox AISI 304BA spessore 0,5 mm e per finiture verniciate in acciaio zincato spessore 0,5 mm
- coibentazione con lana di roccia insufflata spessore 25 mm e densità 180 kg/m³
- speciali anelli in acciaio inox per il contenimento dell'isolante
- temperatura massima d'esercizio 200°C con l'utilizzo di guarnizioni in silicone (su richiesta) o 600°C senza elastomero

PLUS and TECHNICAL CHARACTERISTICS:

- internal wall in stainless steel AISI 316L thickness 0.5 mm
- outer wall in stainless steel AISI 304BA thickness 0.5 mm and for painted finishes in galvanized steel thickness 0.5 mm
- insulation with 25 mm thick rock wool blown between the walls at 180 kg / m³ density
- special stainless steel rings to contain the insulation
- working temperature up to 200°C with the use of silicone gaskets (on request) or 600°C without gasket

AVANTAGES et CARACTÉRISTIQUES TECHNIQUES:

- paroi interne en acier inoxydable AISI 316L épaisseur 0,5 mm
- paroi extérieure en acier inox AISI 304BA épaisseur 0,5 mm et pour les finitions peintes en acier galvanisé épaisseur 0,5 mm
- isolation avec de la laine de roche de 25 mm d'épaisseur soufflée entre les parois à une densité de 180 kg/m³
- anneaux spéciaux en acier inoxydable pour contenir l'isolant
- température de travail jusqu'à 200°C avec l'utilisation de joints en silicone (sur demande) ou 600°C sans joint

T200-P1-W-V2-L50050-O30 con elastomero/with gasket/avec joint
T600-N1-W-V2-L50050-G50 senza elastomero/without gasket/sans joint
T600-N1-W-V2-L50050-G70 colore nero/black colour/couleur noire

Ø disponibili
Ø available
Ø disponibles

da 80 a 350 mm

Finiture disponibili
Available finishes
Finitions disponibles

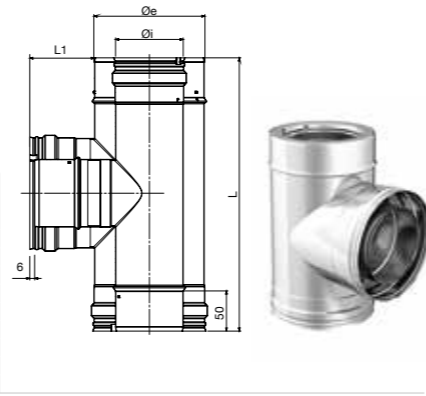


T090

Raccordo a "T" 90° maschio-femmina
90° Tee Pipe fitting male-female - Té 90° mâle-femelle

Finiture disponibili - Available finishes - Finitions disponibles

F.08 - INOX SS - INOX	F.09 - RAME COPPER - CUIVRE	F.10 - NERO BLACK - NOIR	F.11 - COL. RAME COL. COPPER - COUL. CUIVRE	Øi	Øe	L	L1	⊠
K080T090	RC080T090	PY080T090	RY080T090	80	130	325	77	1
K100T090	RC100T090	PY100T090	RY100T090	100	150	325	77	1
K130T090	RC130T090	PY130T090	RY130T090	130	180	325	77	1
K150T090	RC150T090	PY150T090	RY150T090	150	200	495	77	1
K180T090	RC180T090	PY180T090	RY180T090	180	230	495	77	1
K200T090	RC200T090	PY200T090	RY200T090	200	250	495	77	1
K250T090	RC250T090	PY250T090	RY250T090	250	300	495	77	1
K300T090	RC300T090	PY300T090	RY300T090	300	350	495	77	1
K350T090	RC350T090	PY350T090	RY350T090	350	400	545	77	1

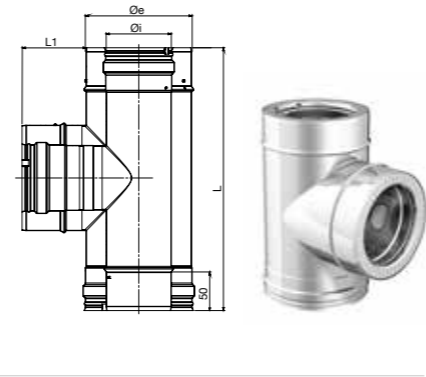


RACT

Raccordo a T 90° femmina-femmina
90° Tee pipe fitting female-female - Té 90° femelle-femelle

Finiture disponibili - Available finishes - Finitions disponibles

F.08 - INOX SS - INOX	F.09 - RAME COPPER - CUIVRE	F.10 - NERO BLACK - NOIR	F.11 - COL. RAME COL. COPPER - COUL. CUIVRE	Øi	Øe	L	L1	⊠
K080RACT	RC080RACT	PY080RACT	RY080RACT	80	130	325	80	1
K100RACT	RC100RACT	PY100RACT	RY100RACT	100	150	325	80	1
K130RACT	RC130RACT	PY130RACT	RY130RACT	130	180	325	80	1
K150RACT	RC150RACT	PY150RACT	RY150RACT	150	200	495	80	1
K180RACT	RC180RACT	PY180RACT	RY180RACT	180	230	495	80	1
K200RACT	RC200RACT	PY200RACT	RY200RACT	200	250	495	80	1
K250RACT	RC250RACT	PY250RACT	RY250RACT	250	300	495	80	1
K300RACT	RC300RACT	PY300RACT	RY300RACT	300	350	495	80	1
K350RACT	RC350RACT	PY350RACT	RY350RACT	350	400	545	80	1

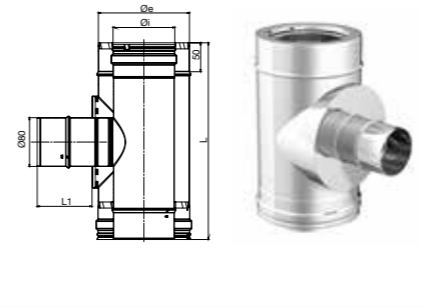


T90R

Raccordo a "T" 90° ridotto Ø 80 maschio
90° Tee pipe fitting reduced Ø 80 male - Té 90° réduit Ø 80 mâle

Finiture disponibili - Available finishes - Finitions disponibles

F.08 - INOX SS - INOX	F.09 - RAME COPPER - CUIVRE	F.10 - NERO BLACK - NOIR	F.11 - COL. RAME COL. COPPER - COUL. CUIVRE	Øi	Øe	L	L1	⊠
K080T90R	RC080T90R	PY080T90R	RY080T90R	80	130	325	91	1
K100T90R	RC100T90R	PY100T90R	RY100T90R	100	150	325	91	1
K130T90R	RC130T90R	PY130T90R	RY130T90R	130	180	325	91	1
K150T90R	RC150T90R	PY150T90R	RY150T90R	150	200	495	91	1
K180T90R	RC180T90R	PY180T90R	RY180T90R	180	230	495	91	1
K200T90R	RC200T90R	PY200T90R	RY200T90R	200	250	495	91	1
K250T90R	RC250T90R	PY250T90R	RY250T90R	250	300	495	91	1
K300T90R	RC300T90R	PY300T90R	RY300T90R	300	350	495	91	1
K350T90R	RC350T90R	PY350T90R	RY350T90R	350	400	545	91	1

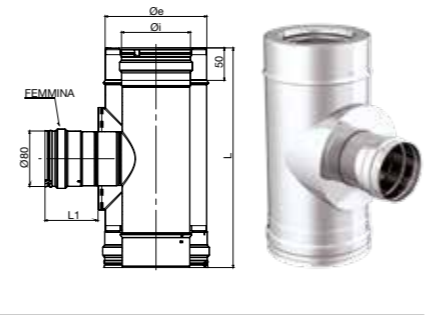


T90F

Raccordo a "T" 90° ridotto Ø 80 femmina
90° Tee pipe fitting reduced Ø 80 female - Té 90° réduit Ø 80 femelle

Finiture disponibili - Available finishes - Finitions disponibles

F.08 - INOX SS - INOX	F.09 - RAME COPPER - CUIVRE	F.10 - NERO BLACK - NOIR	F.11 - COL. RAME COL. COPPER - COUL. CUIVRE	Øi	Øe	L	L1	⊠
K080T90F	RC080T90F	PY080T90F	RY080T90F	80	130	325	91	1
K100T90F	RC100T90F	PY100T90F	RY100T90F	100	150	325	91	1
K130T90F	RC130T90F	PY130T90F	RY130T90F	130	180	325	91	1
K150T90F	RC150T90F	PY150T90F	RY150T90F	150	200	495	91	1
K180T90F	RC180T90F	PY180T90F	RY180T90F	180	230	495	91	1
K200T90F	RC200T90F	PY200T90F	RY200T90F	200	250	495	91	1
K250T90F	RC250T90F	PY250T90F	RY250T90F	250	300	495	91	1
K300T90F	RC300T90F	PY300T90F	RY300T90F	300	350	495	91	1
K350T90F	RC350T90F	PY350T90F	RY350T90F	350	400	545	91	1



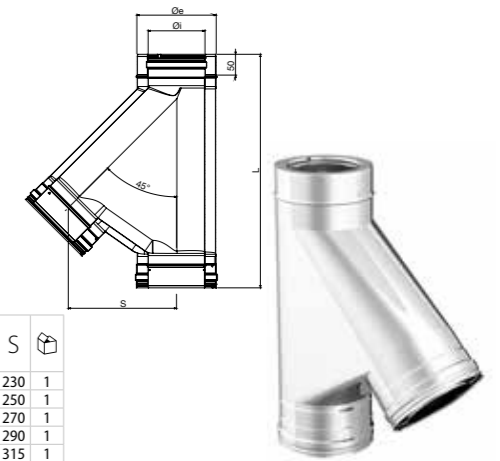
Nella versione verniciata lo stacco è colorato - In the painted version the coupler is colored - Dans la version peinte la débouchure est colorée

T135

Raccordo a "T" 135° maschio-femmina
135° Tee pipe fitting male-female - Té 135° mâle-femelle

Finiture disponibili - Available finishes - Finitions disponibles

F.08 - INOX SS - INOX	F.09 - RAME COPPER - CUIVRE	F.10 - NERO BLACK - NOIR	F.11 - COL. RAME COL. COPPER - COUL. CUIVRE	Øi	Øe	L	S	⊠
K080T135	R080T135	PY080T135	RY080T135	80	130	470	230	1
K100T135	R100T135	PY100T135	RY100T135	100	150	505	250	1
K130T135	R130T135	PY130T135	RY130T135	130	180	545	270	1
K150T135	R150T135	PY150T135	RY150T135	150	200	575	290	1
K180T135	R180T135	PY180T135	RY180T135	180	230	610	315	1
K200T135	R200T135	PY200T135	RY200T135	200	250	640	330	1
K250T135	R250T135	PY250T135	RY250T135	250	300	710	370	1
K300T135	R300T135	PY300T135	RY300T135	300	350	785	420	1
K350T135	R350T135	PY350T135	RY350T135	350	400	930	500	1

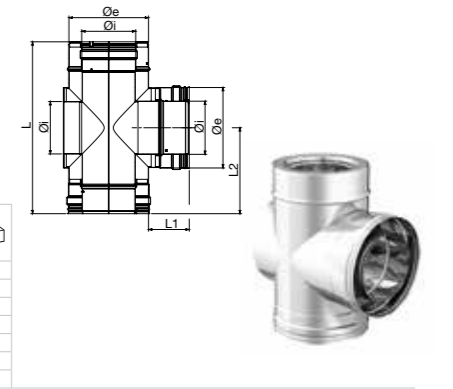


TS90

Raccordo a "T" 90° maschio-femmina con ispezione
90° Tee pipe fitting male-female with inspection - Té 90° mâle-femelle avec trappe de visite

Finiture disponibili - Available finishes - Finitions disponibles

F.08 - INOX SS - INOX	F.09 - RAME COPPER - CUIVRE	F.10 - NERO BLACK - NOIR	F.11 - COL. RAME COL. COPPER - COUL. CUIVRE	Øi	Øe	L	L1	L2	⊠
K080TS90	RC080TS90	PY080TS90	RY080TS90	80	130	325	80	164	1
K100TS90	RC100TS90	PY100TS90	RY100TS90	100	150	325	80	164	1
K130TS90	RC130TS90	PY130TS90	RY130TS90	130	180	325	80	164	1
K150TS90	RC150TS90	PY150TS90	RY150TS90	150	200	495	80	249	1
K180TS90	RC180TS90	PY180TS90	RY180TS90	180	230	495	80	249	1
K200TS90	RC200TS90	PY200TS90	RY200TS90	200	250	495	80	249	1
K250TS90	RC250TS90	PY250TS90	RY250TS90	250	300	495	80	249	1



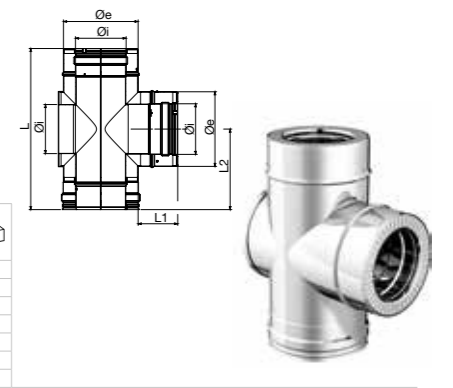
Compatibile con tappi per ispezione TIDP e TIDA (non incluso) - Compatible with plugs for inspection TIDP and TIDA (not included) - Compatible avec les bouchons TIDP et TIDA (non inclus)

TF90

Raccordo a "T" 90° femmina-femmina con ispezione
90° Tee pipe fitting female-female with inspection - Té 90° femelle-femelle avec trappe de visite

Finiture disponibili - Available finishes - Finitions disponibles

F.08 - INOX SS - INOX	F.09 - RAME COPPER - CUIVRE	F.10 - NERO BLACK - NOIR	F.11 - COL. RAME COL. COPPER - COUL. CUIVRE	Øi	Øe	L	L1	L2	⊠
K080TF90	RC080TF90	PY080TF90	RY080TF90	80	130	325	80	164	1
K100TF90	RC100TF90	PY100TF90	RY100TF90	100	150	325	80	164	1
K130TF90	RC130TF90	PY130TF90	RY130TF90	130	180	325	80	164	1
K150TF90	RC150TF90	PY150TF90	RY150TF90	150	200	495	80	249	1
K180TF90	RC180TF90	PY180TF90	RY180TF90	180	230	495	80	249	1
K200TF90	RC200TF90	PY200TF90	RY200TF90	200	250	495	80	249	1
K250TF90	RC250TF90	PY250TF90	RY250TF90	250	300	495	80	249	1



Compatibile con il tappo per ispezione TIDP (non incluso) - Compatible with plug for inspection TIDP (not included) - Compatible avec le bouchon TIDP (non inclus)

Si realizzano raccordi a T speciali su richiesta. Vedi pag. 164.
Special Tee pipe fittings are made on request. See pag. 164.
On produit raccords Té spéciaux sur demande. Voir page 164.

TIDP

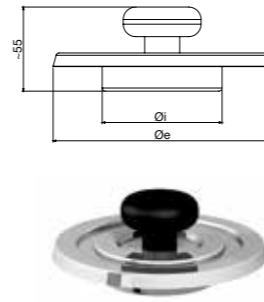
Tappo per ispezione

Plug for inspection - Bouchon pour trappe d'inspection

Finiture disponibili - Available finishes - Finitions disponibles

F.08 - INOX SS - INOX	F.09 - RAME COPPER - CUIVRE	F.10 - NERO BLACK - NOIR	F.11 - COL. RAME COL. COPPER - COUL. CUIVRE	Øi	Øe	📦
I080TIDP	R080TIDP	PI080TIDP	RI080TIDP	80	130	1
I100TIDP	R100TIDP	PI100TIDP	RI100TIDP	100	150	1
I130TIDP	R130TIDP	PI130TIDP	RI130TIDP	130	180	1
I150TIDP	R150TIDP	PI150TIDP	RI150TIDP	150	200	1
I180TIDP	R180TIDP	PI180TIDP	RI180TIDP	180	230	1
I200TIDP	R200TIDP	PI200TIDP	RI200TIDP	200	250	1
I250TIDP	R250TIDP	PI250TIDP	RI250TIDP	250	300	1

Da applicare su T090 e RACT - To apply on T090 and RACT - Appliquer à T090 et RACT



TIDA

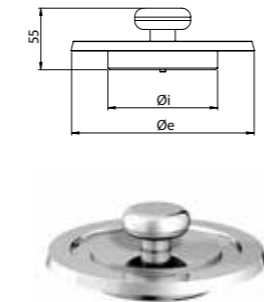
Tappo per ispezione con pomolo in acciaio

Plug for inspection with steel knob - Bouchon pour trappe d'inspection avec poignée en acier

Finiture disponibili - Available finishes - Finitions disponibles

F.08 - INOX SS - INOX	F.09 - RAME COPPER - CUIVRE	F.10 - NERO BLACK - NOIR	F.11 - COL. RAME COL. COPPER - COUL. CUIVRE	Øi	Øe	📦
I080TIDA	R080TIDA	PI080TIDA	RI080TIDA	80	130	1
I100TIDA	R100TIDA	PI100TIDA	RI100TIDA	100	150	1
I130TIDA	R130TIDA	PI130TIDA	RI130TIDA	130	180	1
I150TIDA	R150TIDA	PI150TIDA	RI150TIDA	150	200	1
I180TIDA	R180TIDA	PI180TIDA	RI180TIDA	180	230	1
I200TIDA	R200TIDA	PI200TIDA	RI200TIDA	200	250	1
I250TIDA	R250TIDA	PI250TIDA	RI250TIDA	250	300	1

Da applicare su T090 e TS90 - To apply on T090 and TS90 - Appliquer à T090 et TS90



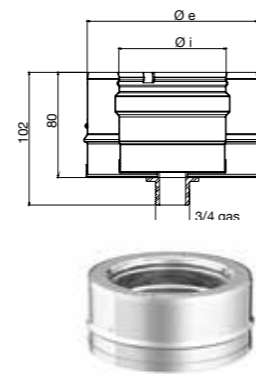
TC85

Tappo raccogli condensa

Drain tee cap - Tampon purge

Finiture disponibili - Available finishes - Finitions disponibles

F.08 - INOX SS - INOX	F.09 - RAME COPPER - CUIVRE	F.10 - NERO BLACK - NOIR	F.11 - COL. RAME COL. COPPER - COUL. CUIVRE	Øi	Øe	📦
K080TC85	RC080TC85	PY080TC85	RY080TC85	80	130	1
K100TC85	RC100TC85	PY100TC85	RY100TC85	100	150	1
K130TC85	RC130TC85	PY130TC85	RY130TC85	130	180	1
K150TC85	RC150TC85	PY150TC85	RY150TC85	150	200	1
K180TC85	RC180TC85	PY180TC85	RY180TC85	180	230	1
K200TC85	RC200TC85	PY200TC85	RY200TC85	200	250	1
K250TC85	RC250TC85	PY250TC85	RY250TC85	250	300	1
K300TC85	RC300TC85	PY300TC85	RY300TC85	300	350	1
K350TC85	RC350TC85	PY350TC85	RY350TC85	350	400	1



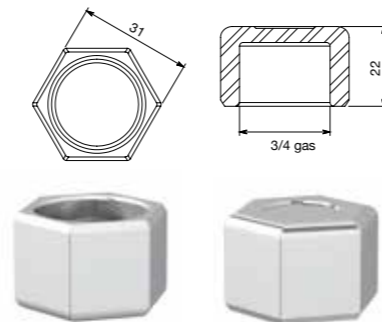
TAFE

Tappo femmina AISI 316 3/4 gas

Female drain plug AISI 316 3/4 gas - Bouchon de purge femelle AISI 316 3/4 gas

Finiture disponibili - Available finishes - Finitions disponibles

F.08 - INOX SS - INOX	📦
IUNVTAFE	1



RTIR

Regolatore di tiraggio automatico

Automatic air draught regulator - Régulateur de tirage automatique

Finiture disponibili - Available finishes - Finitions disponibles

F.08 - INOX SS - INOX	Ø	📦
I100RTIR	100	1
I130RTIR	130	1
I150RTIR	150	1
I180RTIR	180	1

Serve per stabilizzare e regolare il tiraggio della canna fumaria attraverso l'immissione di aria dall'ambiente d'installazione o dall'esterno, conforme d-legs. 152/06, UNI 7129, UNI EN1443, UNI 10683 ecc. I regolatori di tiraggio sono utilizzabili anche come apertura automatica della ventilazione 3 Pa.

It is useful to stabilize and adjust the draft of the chimney through the release of air from the installation environment or from outside, in accordance with d-legs. 152/06, UNI 7129, UNI EN1443, UNI 10683 etc. The draught regulators are also used as automatic opening of ventilation 3 Pa.

Il sert à stabiliser et à régler le tirage du conduit de fumée, par l'introduction d'air de l'ambiance d'installation ou de l'externe, en conformité avec le d-legs. 152/06, UNI 7129, UNI EN1443, UNI 10683 etc. Les régulateurs de tirage sont également utilisés comme ouverture automatique de la ventilation 3 Pa.

Da applicare su RACT e T90F ridotto con stacco a scelta
To apply on RACT and T90F reduced with coupler to be chosen
A appliquer à RACT et T90F réduit avec débouchure à choisir



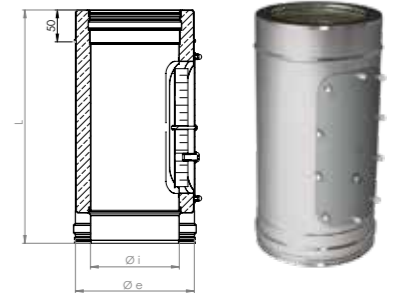
AF10

Elemento lineare completo di analisi fumi M10-gas

Linear element with smoke analysis M10-gas - Élément droit avec analyse des fumées M10-gaz

Finiture disponibili - Available finishes - Finitions disponibles

F.08 - INOX SS - INOX	F.09 - RAME COPPER - CUIVRE	F.10 - NERO BLACK - NOIR	F.11 - COL. RAME COL. COPPER - COUL. CUIVRE	Øi	Øe	L	📦
K080AF10	RC080AF10	PY080AF10	RY080AF10	80	130	325	1
K100AF10	RC100AF10	PY100AF10	RY100AF10	100	150	325	1
K130AF10	RC130AF10	PY130AF10	RY130AF10	130	180	395	1
K150AF10	RC150AF10	PY150AF10	RY150AF10	150	200	395	1
K180AF10	RC180AF10	PY180AF10	RY180AF10	180	230	395	1
K200AF10	RC200AF10	PY200AF10	RY200AF10	200	250	395	1
K250AF10	RC250AF10	PY250AF10	RY250AF10	250	300	395	1
K300AF10	RC300AF10	PY300AF10	RY300AF10	300	350	395	1
K350AF10	-	PY350AF10	RY350AF10	350	400	395	1

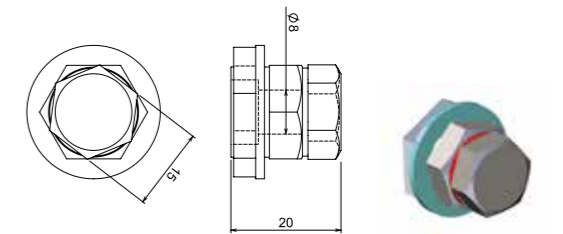


CF01

Tappo per analisi fumi

Fumes analyser cap - Bouchon pour l'analyse des fumées

CODICE CODE - CODE	📦
IUNVCF01	1



PIRO

Pirometro

Pyrometer - Pyromètre

CODICE CODE - CODE	📦
IUNVPIRO	1





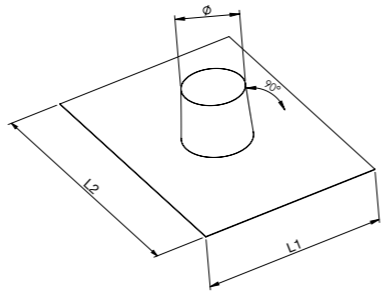
Mono e doppia parete

FP23/24

Faldale per tetti piani
Flashing for flat roofs - Solin pour toits plats

ALLUMINIO ALUMINIUM ALUMINIUM

Table with columns for finish codes (F.08, F.09, F.10, F.11), dimensions (Ø, L1, L2), and quantity (1). Rows list various stainless steel, copper, black, and colored aluminum flashing models.



PIOMBO LEAD PLOMB

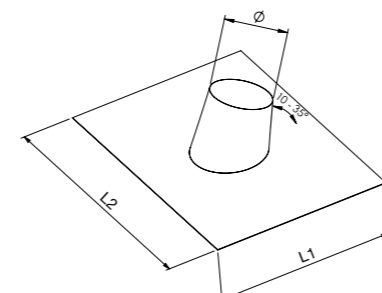
Table with columns for finish codes (F.08, F.09, F.10, F.11), dimensions (Ø, L1, L2), and quantity (1). Rows list lead flashing models with various finishes.

FI20/21

Faldale per tetti inclinati da 10° a 35°
Flashing for sloped roofs from 10° to 35° - Solin pour toits inclinés de 10° à 35°

ALLUMINIO ALUMINIUM ALUMINIUM

Table with columns for finish codes (F.08, F.09, F.10, F.11), dimensions (Ø, L1, L2), and quantity (1). Rows list sloped roof flashing models.



PIOMBO LEAD PLOMB

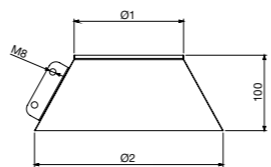
Table with columns for finish codes (F.08, F.09, F.10, F.11), dimensions (Ø, L1, L2), and quantity (1). Rows list sloped roof flashing models in lead.

SS22

Scossalina
Collar - Colletette de solin

Finiture disponibili - Available finishes - Finitions disponibles

Table with columns for finish codes (F.08, F.09, F.10, F.11), dimensions (Ø1, Ø2), and quantity (1). Rows list collar models.



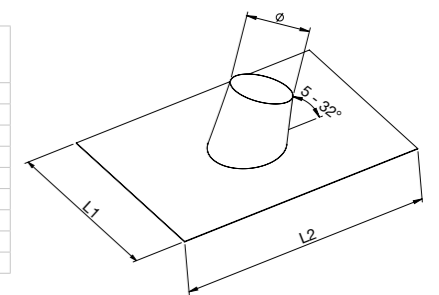
FI30/31

Faldale con base in gomma per tetti inclinati da 5° a 32°
Flashing with rubber base for sloped roofs from 5° to 32°
Solin avec base en gomme pour toits inclinés de 5° à 32°



Finiture disponibili - Available finishes - Finitions disponibles

Table with columns for finish codes (F.08, F.09, F.10, F.11), dimensions (Ø, L1, L2), and quantity (1). Rows list rubber-based flashing models.



Base in gomma rossa - Base in red rubber - Base en gomme rouge

Finiture disponibili - Available finishes - Finitions disponibles

Table with columns for finish codes (F.08, F.09, F.10, F.11), dimensions (Ø, L1, L2), and quantity (1). Rows list adhesive-based rubber flashing models.

Faldale in gomma extra-flex con base adesiva, molto malleabile e adattabile ad ogni tipologia di tetto inclinato da 5° a 32°.
Flashing in extra-flex rubber with adhesive base, which is very malleable and adaptable to any type of sloped roof from 5° to 32°.
Solin en extra-flex gomme avec base adhésive, qui est très malleable et adaptable à chaque typologie de toit en pente de 5° à 32°.

Base in gomma nera - Base in black rubber - Base en gomme noir

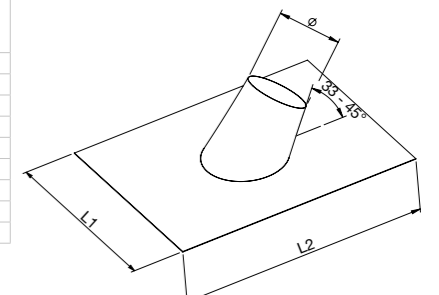
FI35/36

Faldale con base in gomma per tetti inclinati da 33° a 45°
Flashing with rubber base for sloped roofs from 33° to 45°
Solin avec base en gomme pour toits inclinés de 33° à 45°



Finiture disponibili - Available finishes - Finitions disponibles

Table with columns for finish codes (F.08, F.09, F.10, F.11), dimensions (Ø, L1, L2), and quantity (1). Rows list rubber-based flashing models for steep slopes.



Base in gomma rossa - Base in red rubber - Base en gomme rouge

Finiture disponibili - Available finishes - Finitions disponibles

Table with columns for finish codes (F.08, F.09, F.10, F.11), dimensions (Ø, L1, L2), and quantity (1). Rows list adhesive-based rubber flashing models for steep slopes.

Faldale in gomma extra-flex con base adesiva, molto malleabile e adattabile ad ogni tipologia di tetto inclinato da 33° a 45°.
Flashing in extra-flex rubber with adhesive base, which is very malleable and adaptable to any type of sloped roof from 33° to 45°.
Solin en extra-flex gomme avec base adhésive, qui est très malleable et adaptable à chaque typologie de toit en pente de 33° à 45°.

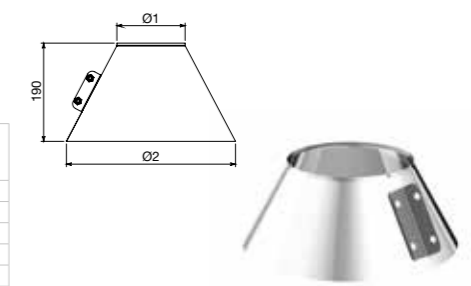
Base in gomma nera - Base in black rubber - Base en gomme noir

SS20

Scossalina
Collar - Colletette de solin

Finiture disponibili - Available finishes - Finitions disponibles

Table with columns for finish codes (F.08, F.09, F.10, F.11), dimensions (Ø1, Ø2), and quantity (1). Rows list collar models.

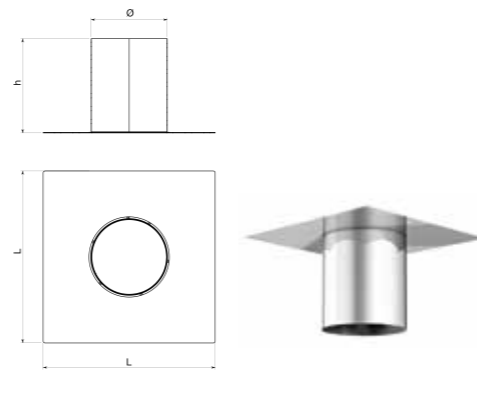




CATC

Piastra telescopica di chiusura

Closure telescopic plate - Plaque télescopique de fermeture



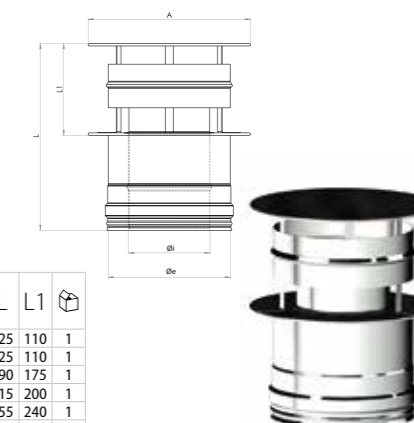
Finiture disponibili - Available finishes - Finitions disponibles

F.08 - INOX SS - INOX	F.09 - RAME COPPER - CUIVRE	F.10 - NERO BLACK - NOIR	F.11 - COL. RAME COL. COPPER - COUL. CUIVRE	Øi	h	L	⊠
I080CATC	-	-	-	80	247	450	1
I100CATC	-	-	-	100	247	450	1
I130CATC	-	-	-	130	247	450	1
I150CATC	-	-	-	150	247	450	1
I180CATC	-	-	-	180	247	450	1
I200CATC	-	-	-	200	247	450	1
I250CATC	-	-	-	250	247	450	1

ANT2

Terminale antivento

Anti-wind cowl - Chapeau anti-vent



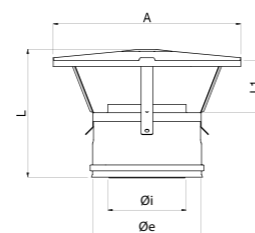
Finiture disponibili - Available finishes - Finitions disponibles

F.08 - INOX SS - INOX	F.09 - RAME COPPER - CUIVRE	F.10 - NERO BLACK - NOIR	F.11 - COL. RAME COL. COPPER - COUL. CUIVRE	Øi	Øe	A	L	L1	⊠
K080ANT2	R080ANT2	PY080ANT2	RY080ANT2	80	130	200	225	110	1
K100ANT2	R100ANT2	PY100ANT2	RY100ANT2	100	150	200	225	110	1
K130ANT2	R130ANT2	PY130ANT2	RY130ANT2	130	180	300	290	175	1
K150ANT2	R150ANT2	PY150ANT2	RY150ANT2	150	200	350	315	200	1
K180ANT2	R180ANT2	PY180ANT2	RY180ANT2	180	230	450	355	240	1
K200ANT2	R200ANT2	PY200ANT2	RY200ANT2	200	250	450	355	240	1
K250ANT2	R250ANT2	PY250ANT2	RY250ANT2	250	300	560	415	300	1
K300ANT2	R300ANT2	PY300ANT2	RY300ANT2	300	350	680	475	360	1

CC06

Terminale cinese

Rain cowl - Chapeau chinois



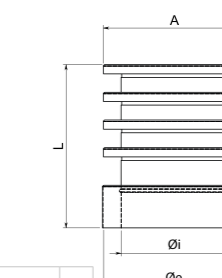
Finiture disponibili - Available finishes - Finitions disponibles

F.08 - INOX SS - INOX	F.09 - RAME COPPER - CUIVRE	F.10 - NERO BLACK - NOIR	F.11 - COL. RAME COL. COPPER - COUL. CUIVRE	Øi	Øe	A	L	L1	⊠
K080CC06	R080CC06	PY080CC06	RY080CC06	80	130	200	195	100	1
K100CC06	R100CC06	PY100CC06	RY100CC06	100	150	200	200	100	1
K130CC06	R130CC06	PY130CC06	RY130CC06	130	180	250	215	100	1
K150CC06	R150CC06	PY150CC06	RY150CC06	150	200	300	225	100	1
K180CC06	R180CC06	PY180CC06	RY180CC06	180	230	325	235	100	1
K200CC06	R200CC06	PY200CC06	RY200CC06	200	250	375	250	100	1
K250CC06	R250CC06	PY250CC06	RY250CC06	250	300	440	275	100	1
K300CC06	R300CC06	PY300CC06	RY300CC06	300	350	440	300	100	1

CALM

Terminale lamellare

Lamellar cowl - Chapeau lamellaire



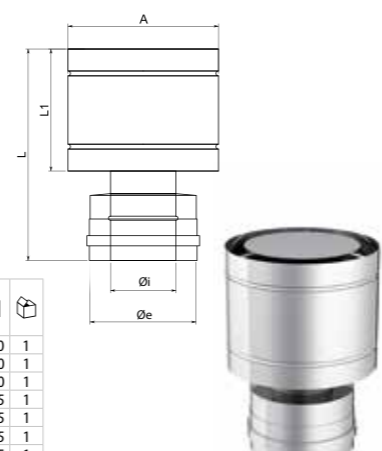
Finiture disponibili - Available finishes - Finitions disponibles

F.08 - INOX SS - INOX	F.09 - RAME COPPER - CUIVRE	F.10 - NERO BLACK - NOIR	F.11 - COL. RAME COL. COPPER - COUL. CUIVRE	Øi	Øe	A	L	N. lamelle n.lamella n.lamelle	⊠
K080CALM	R080CALM	-	-	80	130	130	180	3	1
K100CALM	R100CALM	-	-	100	150	150	215	4	1
K130CALM	R130CALM	-	-	130	180	180	220	4	1
K150CALM	R150CALM	-	-	150	200	200	230	4	1
K180CALM	R180CALM	-	-	180	230	230	270	5	1
K200CALM	R200CALM	-	-	200	250	250	270	5	1
K250CALM	R250CALM	-	-	250	300	300	310	6	1
K300CALM	R300CALM	-	-	300	350	350	350	7	1

CAPE

Terminale a botte

Vedette cowl - Chapeau à tonneau



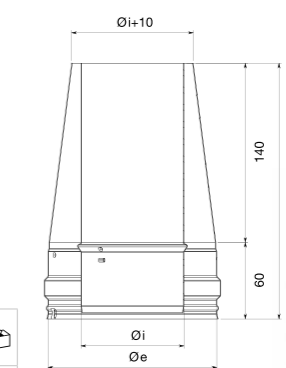
Finiture disponibili - Available finishes - Finitions disponibles

F.08 - INOX SS - INOX	F.09 - RAME COPPER - CUIVRE	F.10 - NERO BLACK - NOIR	F.11 - COL. RAME COL. COPPER - COUL. CUIVRE	Øi	Øe	A	L	L1	⊠
K080CAPE	R080CAPE	PY080CAPE	RY080CAPE	80	130	230	245	160	1
K100CAPE	R100CAPE	PY100CAPE	RY100CAPE	100	150	255	275	190	1
K130CAPE	R130CAPE	PY130CAPE	RY130CAPE	130	180	280	275	190	1
K150CAPE	R150CAPE	PY150CAPE	RY150CAPE	150	200	315	330	245	1
K180CAPE	R180CAPE	PY180CAPE	RY180CAPE	180	230	385	310	245	1
K200CAPE	R200CAPE	PY200CAPE	RY200CAPE	200	250	400	310	245	1
K250CAPE	R250CAPE	PY250CAPE	RY250CAPE	250	300	450	400	325	1
K300CAPE	R300CAPE	PY300CAPE	RY300CAPE	300	350	520	400	325	1
K350CAPE	R350CAPE	PY350CAPE	RY350CAPE	350	400	610	500	410	1

CACO

Terminale tronco conico

Conical cowl - Chapeau cône tronqué



Finiture disponibili - Available finishes - Finitions disponibles

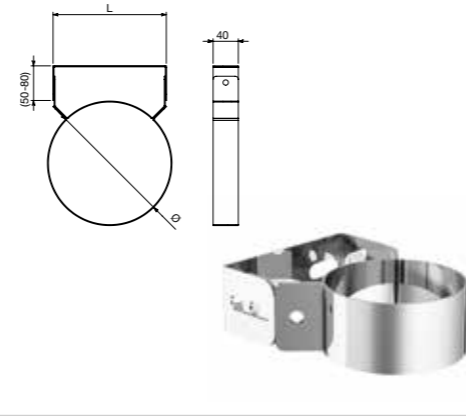
F.08 - INOX SS - INOX	F.09 - RAME COPPER - CUIVRE	F.10 - NERO BLACK - NOIR	F.11 - COL. RAME COL. COPPER - COUL. CUIVRE	Øi	Øe	
K080CACO	R080CACO	-	-	80	130	1
K100CACO	R100CACO	-	-	100	150	1
K130CACO	R130CACO	-	-	130	180	1
K150CACO	R150CACO	-	-	150	200	1
K180CACO	R180CACO	-	-	180	230	1
K200CACO	R200CACO	-	-	200	250	1
K250CACO	R250CACO	-	-	250	300	1
K300CACO	R300CACO	-	-	300	350	1
K350CACO	R350CACO	-	-	350	400	1

FM14

Fascetta murale
Wall clamp - Bride murale

Finiture disponibili - Available finishes - Finitions disponibles

F.08 - INOX SS - INOX	F.09 - RAME COPPER - CUIVRE	F.10 - NERO BLACK - NOIR	F.11 - COL. RAME COL. COPPER - COUL. CUIVRE	Ø	L	1
J130FM14	R130FM14	PJ130FM14	RJ130FM14	130	130	1
J150FM14	R150FM14	PJ150FM14	RJ150FM14	150	145	1
J180FM14	R180FM14	PJ180FM14	RJ180FM14	180	165	1
J200FM14	R200FM14	PJ200FM14	RJ200FM14	200	180	1
J230FM14	R230FM14	PJ230FM14	RJ230FM14	230	200	1
J250FM14	R250FM14	PJ250FM14	RJ250FM14	250	220	1
J300FM14	R300FM14	PJ300FM14	RJ300FM14	300	250	1
J350FM14	R350FM14	PJ350FM14	RJ350FM14	350	290	1
J400FM14	R400FM14	PJ400FM14	RJ400FM14	400	350	1



Articolo fornito completo di viteria - Article supplied complete with screws - Article livré complet avec vis

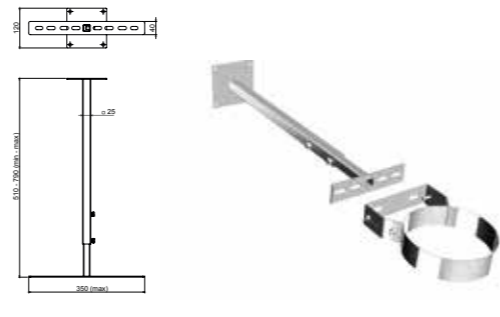
FM15

Prolunga telescopica per FM14
Telescopic extension for FM14 - Extension télescopique pour FM14

Telescopic extension for FM14 - Extension télescopique pour FM14

Finiture disponibili - Available finishes - Finitions disponibles

F.08 - INOX SS - INOX	F.09 - RAME COPPER - CUIVRE	F.10 - NERO BLACK - NOIR	F.11 - COL. RAME COL. COPPER - COUL. CUIVRE	1
JUNVFM15	-	PJUNVFM15	RJUNVFM15	1



Articolo fornito completo di viteria - Article supplied complete with screws - Article livré complet avec vis

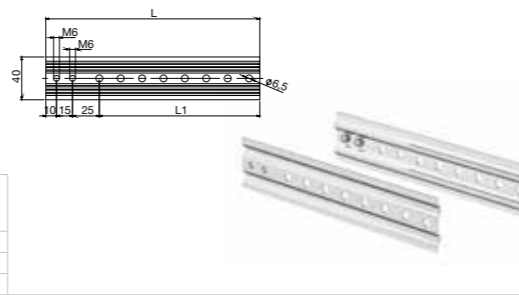
PSF1/2/3

Prolunga per fissaggio staffa
Extension mounting bracket - Extension du support de montage

Extension mounting bracket - Extension du support de montage

Finiture disponibili - Available finishes - Finitions disponibles

F.08 - INOX SS - INOX	F.09 - RAME COPPER - CUIVRE	F.10 - NERO BLACK - NOIR	F.11 - COL. RAME COL. COPPER - COUL. CUIVRE	L	1
JUNVPSF1	RUNVPSF1	PJUNVPSF1	RJUNVPSF1	100	1
JUNVPSF2	RUNVPSF2	PJUNVPSF2	RJUNVPSF2	200	1
JUNVPSF3	-	PJUNVPSF3	RJUNVPSF3	320	1



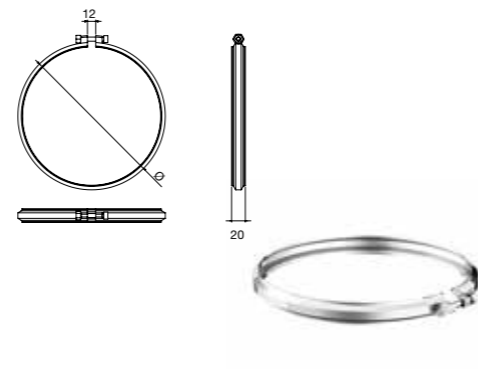
Si può tagliare a misura - It is possible to custom-cut - On peut la couper sur mesure

FB19

Fascetta di bloccaggio
Locking band - Bride de sécurité

Finiture disponibili - Available finishes - Finitions disponibles

F.08 - INOX SS - INOX	F.09 - RAME COPPER - CUIVRE	F.10 - NERO BLACK - NOIR	F.11 - COL. RAME COL. COPPER - COUL. CUIVRE	Ø	1
J130FB19	R130FB19	PJ130FB19	RJ130FB19	130	1
J150FB19	R150FB19	PJ150FB19	RJ150FB19	150	1
J180FB19	R180FB19	PJ180FB19	RJ180FB19	180	1
J200FB19	R200FB19	PJ200FB19	RJ200FB19	200	1
J230FB19	R230FB19	PJ230FB19	RJ230FB19	230	1
J250FB19	R250FB19	PJ250FB19	RJ250FB19	250	1
J300FB19	R300FB19	PJ300FB19	RJ300FB19	300	1
J350FB19	R350FB19	PJ350FB19	RJ350FB19	350	1
J400FB19	R400FB19	PJ400FB19	RJ400FB19	400	1

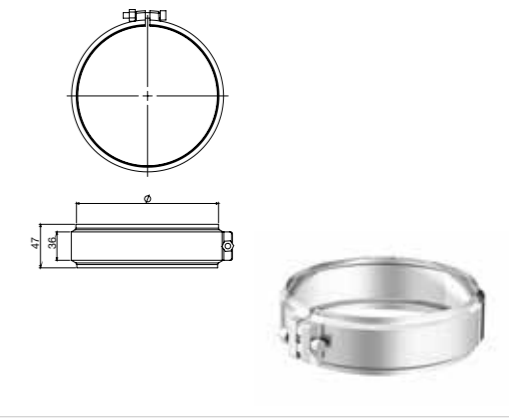


FB36

Fascetta di bloccaggio
Locking band - Bride de sécurité

Finiture disponibili - Available finishes - Finitions disponibles

F.08 - INOX SS - INOX	F.09 - RAME COPPER - CUIVRE	F.10 - NERO BLACK - NOIR	F.11 - COL. RAME COL. COPPER - COUL. CUIVRE	Ø	1
J130FB36	R130FB36	PJ130FB36	RJ130FB36	130	1
J150FB36	R150FB36	PJ150FB36	RJ150FB36	150	1
J180FB36	R180FB36	PJ180FB36	RJ180FB36	180	1
J200FB36	R200FB36	PJ200FB36	RJ200FB36	200	1
J230FB36	R230FB36	PJ230FB36	RJ230FB36	230	1
J250FB36	R250FB36	PJ250FB36	RJ250FB36	250	1
J300FB36	R300FB36	PJ300FB36	RJ300FB36	300	1
J350FB36	R350FB36	PJ350FB36	RJ350FB36	350	1
J400FB36	R400FB36	PJ400FB36	RJ400FB36	400	1

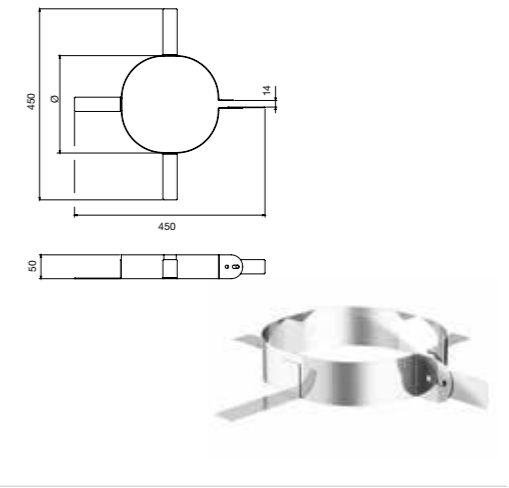


FC71

Fascetta di centraggio
Centering clamp - Collier de centrage

Finiture disponibili - Available finishes - Finitions disponibles

F.08 - INOX SS - INOX	F.09 - RAME COPPER - CUIVRE	F.10 - NERO BLACK - NOIR	F.11 - COL. RAME COL. COPPER - COUL. CUIVRE	Ø	1
J130FC71	-	-	-	130	1
J150FC71	-	-	-	150	1
J180FC71	-	-	-	180	1
J200FC71	-	-	-	200	1
J230FC71	-	-	-	230	1
J250FC71	-	-	-	250	1
J300FC71	-	-	-	300	1
J350FC71	-	-	-	350	1
J400FC71	-	-	-	400	1

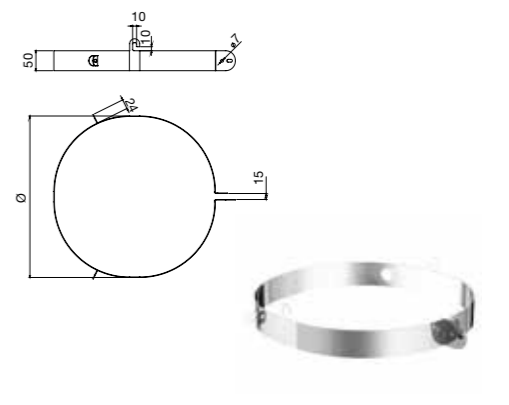


CT25

Fascia cavi tiranti e discesa
Guy wire bracket - Bride pour haubanage et descente

Finiture disponibili - Available finishes - Finitions disponibles

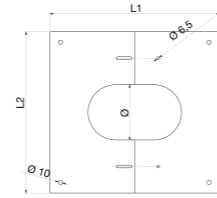
F.08 - INOX SS - INOX	F.09 - RAME COPPER - CUIVRE	F.10 - NERO BLACK - NOIR	F.11 - COL. RAME COL. COPPER - COUL. CUIVRE	Ø	1
J130CT25	-	PJ130CT25	RJ130CT25	130	1
J150CT25	-	PJ150CT25	RJ150CT25	150	1
J180CT25	-	PJ180CT25	RJ180CT25	180	1
J200CT25	-	PJ200CT25	RJ200CT25	200	1
J230CT25	-	PJ230CT25	RJ230CT25	230	1
J250CT25	-	PJ250CT25	RJ250CT25	250	1
J300CT25	-	PJ300CT25	RJ300CT25	300	1
J350CT25	-	PJ350CT25	RJ350CT25	350	1
J400CT25	-	PJ400CT25	RJ400CT25	400	1



Articolo fornito completo di viteria - Article supplied complete with screws - Article livré complet avec vis

FIN1

Piastra quadrata di finitura da 0° a 30°
Square finishing plate from 0° to 30° - Plaque carrée de finition de 0° à 30°



Finiture disponibili - Available finishes - Finitions disponibles

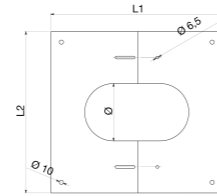
F.08 - INOX SS - INOX	F.09 - RAME COPPER - CUIVRE	F.10 - NERO BLACK - NOIR	F.11 - COL. RAME COL. COPPER - COUL. CUIVRE	Ø	L1	L2	
J130FIN1	-	PJ130FIN1	RJ130FIN1	130	400	380	1
J150FIN1	-	PJ150FIN1	RJ150FIN1	150	400	400	1
J180FIN1	-	PJ180FIN1	RJ180FIN1	180	440	430	1
J200FIN1	-	PJ200FIN1	RJ200FIN1	200	460	430	1
J230FIN1	-	PJ230FIN1	RJ230FIN1	230	500	430	1
J250FIN1	-	PJ250FIN1	RJ250FIN1	250	525	430	1

Articolo fornito completo di viteria - Article supplied complete with screws - Article livré complet avec vis



FIN2

Piastra quadrata di finitura da 30° a 45°
Square finishing plate from 30° to 45° - Plaque carrée de finition de 30° à 45°



Finiture disponibili - Available finishes - Finitions disponibles

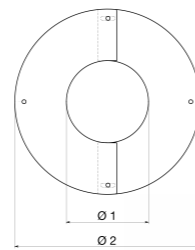
F.08 - INOX SS - INOX	F.09 - RAME COPPER - CUIVRE	F.10 - NERO BLACK - NOIR	F.11 - COL. RAME COL. COPPER - COUL. CUIVRE	Ø	L1	L2	
J130FIN2	-	PJ130FIN2	RJ130FIN2	130	405	380	1
J150FIN2	-	PJ150FIN2	RJ150FIN2	150	430	400	1
J180FIN2	-	PJ180FIN2	RJ180FIN2	180	500	430	1
J200FIN2	-	PJ200FIN2	RJ200FIN2	200	530	430	1
J230FIN2	-	PJ230FIN2	RJ230FIN2	230	560	440	1
J250FIN2	-	PJ250FIN2	RJ250FIN2	250	620	440	1

Articolo fornito completo di viteria - Article supplied complete with screws - Article livré complet avec vis



FIN3

Piastra tonda di finitura regolabile
Adjustable finishing plate - Plaque ronde de finition réglable



Finiture disponibili - Available finishes - Finitions disponibles

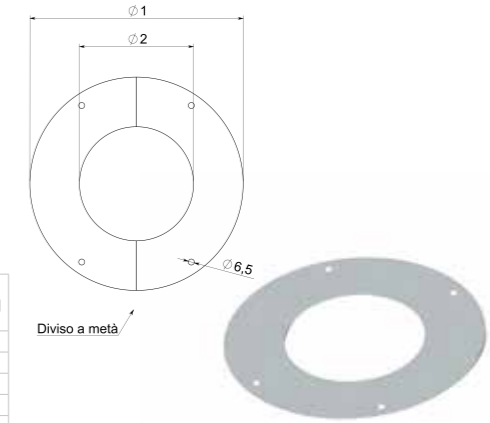
F.08 - INOX SS - INOX	F.09 - RAME COPPER - CUIVRE	F.10 - NERO BLACK - NOIR	F.11 - COL. RAME COL. COPPER - COUL. CUIVRE	Ø1	Ø2	
J130FIN3	-	PJ130FIN3	RJ130FIN3	130	300	1
J150FIN3	-	PJ150FIN3	RJ150FIN3	150	320	1
J180FIN3	-	PJ180FIN3	RJ180FIN3	180	350	1
J200FIN3	-	PJ200FIN3	RJ200FIN3	200	450	1
J230FIN3	-	PJ230FIN3	RJ230FIN3	230	450	1
J250FIN3	-	PJ250FIN3	RJ250FIN3	250	450	1

Articolo fornito completo di viteria - Article supplied complete with screws - Article livré complet avec vis



FINZ

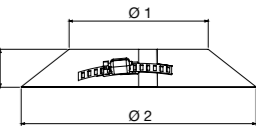
Piastra tonda di finitura
Round finishing plate - Plaque ronde de finition



Finiture disponibili - Available finishes - Finitions disponibles

F.08 - INOX SS - INOX	F.09 - RAME COPPER - CUIVRE	F.10 - NERO BLACK - NOIR	F.11 - COL. RAME COL. COPPER - COUL. CUIVRE	Ø1	Ø2	
J130FINZ	R130FINZ	PJ130FINZ	RJ130FINZ	240	133	1
J150FINZ	R150FINZ	PJ150FINZ	RJ150FINZ	260	153	1
J180FINZ	R180FINZ	PJ180FINZ	RJ180FINZ	290	183	1
J200FINZ	R200FINZ	PJ200FINZ	RJ200FINZ	310	203	1
J230FINZ	R230FINZ	PJ230FINZ	RJ230FINZ	340	233	1
J250FINZ	R250FINZ	PJ250FINZ	RJ250FINZ	360	253	1

Articolo fornito completo di viteria - Article supplied complete with screws - Article livré complet avec vis



SS24

Rosone conico di finitura
Finishing conic ring - Rosace conique de finition

Finiture disponibili - Available finishes - Finitions disponibles

F.08 - INOX SS - INOX	F.09 - RAME COPPER - CUIVRE	F.10 - NERO BLACK - NOIR	F.11 - COL. RAME COL. COPPER - COUL. CUIVRE	Ø1	Ø2	
J130SS24	-	PJ130SS24	RJ130SS24	130	230	1
J150SS24	-	PJ150SS24	RJ150SS24	150	250	1
J180SS24	-	PJ180SS24	RJ180SS24	180	280	1
J200SS24	-	PJ200SS24	RJ200SS24	200	300	1
J230SS24	-	PJ230SS24	RJ230SS24	230	330	1
J250SS24	-	PJ250SS24	RJ250SS24	250	350	1
J300SS24	-	PJ300SS24	RJ300SS24	300	400	1

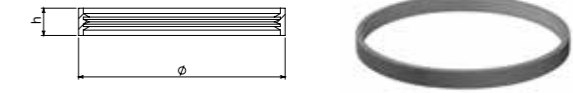


GUAR

Guarnizione in silicone
Silicone gasket - Joint silicone

CODICE CODE - CODE	Ø	h	
I080GUAR	80	11,5	1
I100GUAR	100	11,5	1
I130GUAR	130	11,5	1
I150GUAR	150	11,5	1
I180GUAR	180	11,5	1
I200GUAR	200	11,5	1
I230GUAR	230	11,5	1
I250GUAR	250	11,5	1
I300GUAR	300	11,5	1
I350GUAR	350	11,5	1
I400GUAR	400	11,5	1

Silicone nero resistente fino a 200° - Black silicone resistant up to 200° - Silicone noir résistant jusqu'à 200°



SUPS

SUPS è un supporto a solaio costruito per l'installazione di canne fumarie.

SUPS is a floor support that is destined for the installation of chimneys.

SUPS est un support au plancher construit pour l'installation des cheminées.

CARATTERISTICHE TECNICHE

- Sistema solido e veloce
- La fascetta di acciaio consente di sostenere la canna fumaria impedendo che gli elementi si sgancino tra di loro

TECHNICAL FEATURES

- It is a solid and fast system
- The clamp in steel allows to support the flue chimney, preventing elements to unhook between them

CARACTÉRISTIQUES TECHNIQUES

- Il est un système solide et rapide
- Le collier en acier apporte un soutien à la cheminée, en empêchant que les éléments se décrochent entre eux

UTILIZZO

- In caso di solai in cemento, consente di fissare la canna fumaria ad un'altezza definita dall'installatore.
- Per installarlo è sufficiente eseguire un foro nel solaio, fissarlo con sei semplici viti ed infine far passare l'elemento lineare, bloccandolo all'altezza utile, mediante una chiave esagonale.

USAGE

- In case of floor in concrete, it allows to fix the chimney to a height defined by the installer
- To install it simply drill a hole in the floor, fix the element with six simple screws and finally pass the linear element, blocking it at the suitable height by a hexagonal spanner.

USAGE

- En cas de plancher en béton, il permet de fixer la cheminée à une hauteur définie par l'installateur
- Pour l'installer il suffit de percer un trou dans le plancher, le fixer par six vis simples, et puis faire passer l'élément linéaire, en le bloquant à la hauteur convenable, par une clé hexagonale.

SUPS

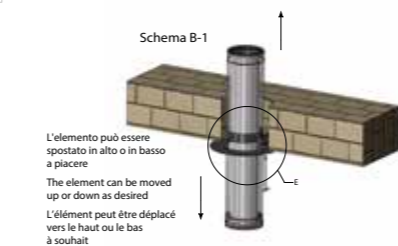
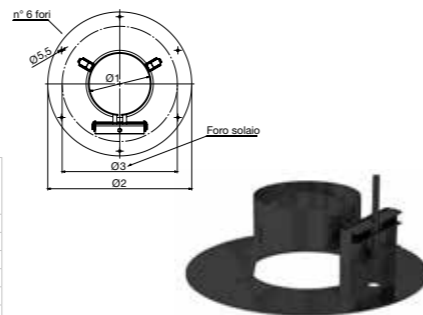
Supporto solaio

Floor support - Support plancher

Finiture disponibili - Available finishes - Finitions disponibles

F.08 - INOX SS - INOX	F.09 - RAME COPPER - CUIVRE	F.10 - NERO BLACK - NOIR	F.11 - COL. RAME COL. COPPER - COUL. CUIVRE	Ø1	Ø2	Ø3	
-	-	-	-	130	300	240	1
-	-	-	-	150	330	260	1
-	-	-	-	180	360	280	1
-	-	-	-	200	380	300	1
-	-	-	-	230	410	330	1
-	-	-	-	250	430	350	1
-	-	-	-	300	500	400	1

Articolo fornito completo di viteria - Article supplied complete with screws - Article livré complet avec vis



FORXS - FORX2

FORX e FORX2 sono delle fascette complete di ali di fissaggio e supporto, regolabili in inclinazione da 0° a 45°.

FORX and FORX2 are clamps with fixing and support wings, adjustable in inclination from 0° to 45°. These clamps bind the chimney that crosses the roof in a vertical condition.

FORX et FORX2 sont des brides avec des ailes de fixation et support, ajustables en inclination de 0° à 45°. Ces brides immobilisent la cheminée qui traverse le plancher en condition verticale.

Queste fascette vincolano la canna fumaria che attraversa il solaio in condizione verticale. Sono leggere ma allo stesso tempo robuste grazie alla solidità della piegatura presente sulle ali. Sono poco ingombranti, adatte ad essere installate su tetti e solai.

They are light but at the same time robust thanks to the solidity of the wings bending. They are not very bulky, and they are apt to be installed on roofs and floors.

Elles sont légères mais au même temps robustes grâce à la solidité du pliage présent sur les ailes. Elles ne sont pas très encombrantes, aptes pour être installées sur les toits et les planchers.

FORXS

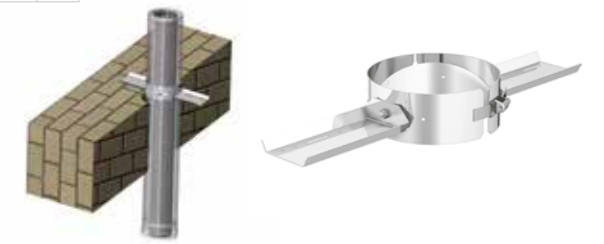
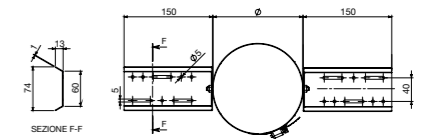
Fascetta con ali per supporto a tetto

Roof support with wings - Support au toit avec ailes

Finiture disponibili - Available finishes - Finitions disponibles

F.08 - INOX SS - INOX	F.09 - RAME COPPER - CUIVRE	F.10 - NERO BLACK - NOIR	F.11 - COL. RAME COL. COPPER - COUL. CUIVRE	Ø	
J130FORXS	-	-	-	130	1
J150FORXS	-	-	-	150	1
J180FORXS	-	-	-	180	1
J200FORXS	-	-	-	200	1
J230FORXS	-	-	-	230	1
J250FORXS	-	-	-	250	1
J300FORXS	-	-	-	300	1

Articolo fornito completo di viteria - Article supplied complete with screws - Article livré complet avec vis



FORX2

Fascetta con staffe L1000 mm per supporto a tetto

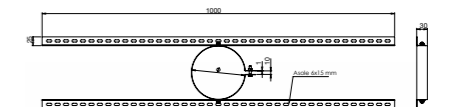
Clamp with brackets L1000 mm for roof support

Bride avec traversés L1000 mm pour support au toit

Finiture disponibili - Available finishes - Finitions disponibles

F.08 - INOX SS - INOX	F.09 - RAME COPPER - CUIVRE	F.10 - NERO BLACK - NOIR	F.11 - COL. RAME COL. COPPER - COUL. CUIVRE	Ø	
Z130FORX2	-	-	-	130	1
Z150FORX2	-	-	-	150	1
Z180FORX2	-	-	-	180	1
Z200FORX2	-	-	-	200	1
Z230FORX2	-	-	-	230	1
Z250FORX2	-	-	-	250	1

Articolo fornito completo di viteria - Article supplied complete with screws - Article livré complet avec vis



FIRE STOP

Sistema composto da due solide piastre in acciaio zincato

CARATTERISTICHE TECNICHE

- Designazione tecnica T450-N1-D-V2-L50050-G(50)
- Il prodotto è stato sottoposto ai test termici di temperatura e ai test di resistenza al fuoco secondo la normativa europea BS EN 1856-1:2009 & BS 476: PART 20:1987
- Ha lo scopo di prevenire contatti di calore diretti mantenendo la canna fumaria concentrica rispetto al cavedio
- Le piastre possono essere areate ossia provviste di fessure e fori per il passaggio dell'aria, oppure non areate

UTILIZZO

- Secondo le regolamentazioni britanniche in materia di edilizia, quando una canna fumaria attraversa un piano o un soffitto, l'installazione deve essere completata da un FIRE STOP realizzato in materiale non combustibile
- Le piastre areate sono utilizzate per interni e in caso di vicinanza a materiali sensibili al calore
- Le piastre non areate sono utilizzate per chiudere camini in refrattario.

System composed of two solid plates made of galvanized steel.

TECHNICAL FEATURES

- Technical classification T450-N1-D-V2-L50050-G(50)
- The product was subjected to thermal testing temperature and fire resistance tests, according to European Standard BS EN 1856-1:2009 & BS 476: PART 20:1987.
- It is designed to prevent direct contact to heat, maintaining the chimney vertical in their existing masonry chimney.
- The plates can be ventilated, or better provided with slots and holes for the passage of air, or non-ventilated.

USE

- According to British regulations on construction, when a chimney passes through a floor or ceiling, the installation must be completed by a Fire Stop made of non-combustible material.
- The ventilated plates are used for indoor and proximity to heat sensitive material.
- The non-ventilated plates are used to close fire-resistant chimneys.

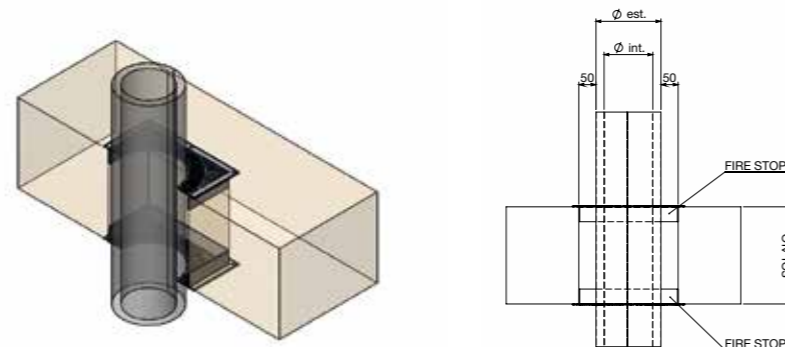
Système composé par deux plaques solides en acier galvanisé.

CARACTÉRISTIQUES TECHNIQUES

- Désignation technique T450-N1-D-V2-L50050-G(50)
- Le produit a été soumis aux essais thermiques de température et aux tests de résistance au feu, selon la norme européenne BS EN 1856-1:2009 & BS 476: PART 20:1987.
- Il est conçu pour empêcher les contacts directs à la chaleur, en maintenant le conduit de cheminée tout droit par rapport au boisseau.
- Les plaques peuvent être ventilées, ou mieux pourvues de fentes et de trous pour le passage de l'air, ou non ventilées.

UTILISATION

- Selon la réglementation britannique sur la construction, où une cheminée traverse un plancher ou un plafond, l'installation doit être complétée par la Plaque d'écart au feu faite d'un matériau incombustible.
- Les plaques ventilées sont utilisées pour l'intérieur et en proximité de matériaux thermosensibles.
- Les plaques non ventilées sont utilisées pour fermer les cheminées réfractaires.



FST1

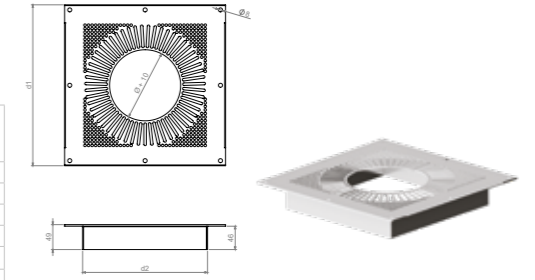
Fire stop areato

Ventilated fire stop plate - Plaque écart au feu ventilée

Finiture disponibili - Available finishes - Finitions disponibles

F.08 - INOX SS - INOX	F.09 - RAME COPPER - CUIVRE	F.10 - NERO BLACK - NOIR	F.11 - COL. RAME COL. COPPER - COUL. CUIVRE	Ø	d1	d2	1
Z130FST1	-	-	RZ130FST1	130	317	246	1
Z150FST1	-	-	RZ150FST1	150	337	266	1
Z180FST1	-	-	RZ180FST1	180	367	296	1
Z200FST1	-	-	RZ200FST1	200	387	316	1
Z230FST1	-	-	RZ230FST1	230	417	346	1
Z250FST1	-	-	RZ250FST1	250	437	366	1
Z300FST1	-	-	RZ300FST1	300	487	416	1

Articolo fornito completo di viteria - Article supplied complete with screws - Article livré complet avec vis



FST2

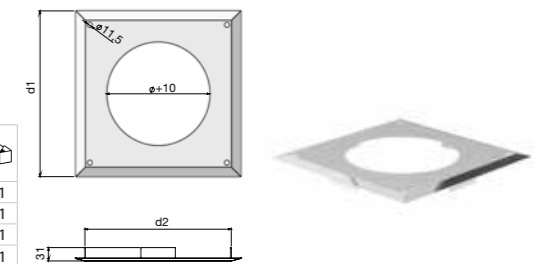
Fire stop non areato

Non-ventilated fire stop plate - Plaque écart au feu non-ventilée

Finiture disponibili - Available finishes - Finitions disponibles

F.08 - INOX SS - INOX	F.09 - RAME COPPER - CUIVRE	F.10 - NERO BLACK - NOIR	F.11 - COL. RAME COL. COPPER - COUL. CUIVRE	Ø	d1	d2	1
Z130FST2	-	PZ130FST2	RZ130FST2	130	285	240	1
Z150FST2	-	PZ150FST2	RZ150FST2	150	305	260	1
Z180FST2	-	PZ180FST2	RZ180FST2	180	333	290	1
Z200FST2	-	PZ200FST2	RZ200FST2	200	352	309	1
Z230FST2	-	PZ230FST2	RZ230FST2	230	385	340	1
Z250FST2	-	PZ250FST2	RZ250FST2	250	405	360	1
Z300FST2	-	PZ300FST2	RZ300FST2	300	455	410	1

Articolo fornito completo di viteria - Article supplied complete with screws - Article livré complet avec vis



FST3

Fire stop areato

Ventilated fire stop plate - Plaque écart au feu ventilée

Finiture disponibili - Available finishes - Finitions disponibles

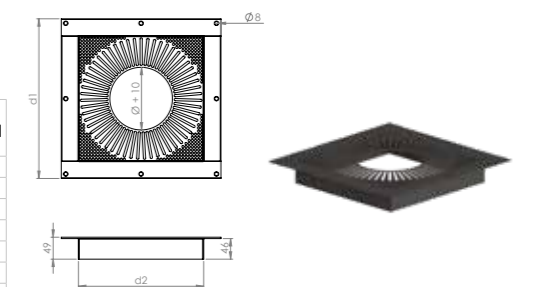
F.08 - INOX SS - INOX	F.09 - RAME COPPER - CUIVRE	F.10 - NERO BLACK - NOIR	F.11 - COL. RAME COL. COPPER - COUL. CUIVRE	Ø	d1	d2	1
-	-	PZ130FST3	-	130	357	280	1
-	-	PZ150FST3	-	150	377	300	1
-	-	PZ180FST3	-	180	410	333	1
-	-	PZ200FST3	-	200	430	353	1
-	-	PZ230FST3	-	230	460	383	1
-	-	PZ250FST3	-	250	480	403	1
-	-	PZ300FST3	-	300	510	453	1

NB: G70 per linea Dynamic Two col. Nero secondo EN1856-1:2009

Note: G70 for Dynamic Two black color according to EN1856-1:2009

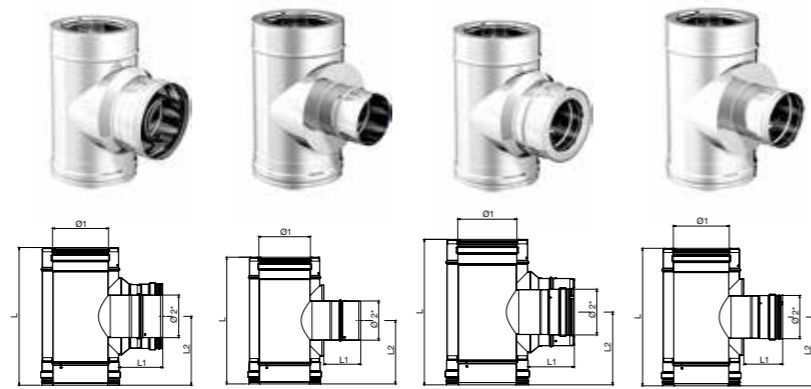
NB: G70 pour gamme Dynamic Two couleur noir selon EN1856-1:2009

Articolo fornito completo di viteria - Article supplied complete with screws - Article livré complet avec vis



T90R/F

Raccordo a "T" 90° ridotto (stacco con Ø2 a scelta)
 90° Tee pipe fitting reduced (coupler with Ø2 to be chosen)
 Tê 90° réduit (débouchure Ø2 à choisir)



T90R (Stacco maschio / Male coupler / Débouchure mâle)
 * Ø2 a scelta / Ø2 to be chosen / Ø2 à choisir

T90F (Stacco femmina / Female coupler / Débouchure femelle)
 * Ø2 a scelta / Ø2 to be chosen / Ø2 à choisir

Componi così il tuo codice
 Compose your code in this way
 Composez votre code de cette façon

Modello raccordo
 T90R= stacco maschio
 T90F= stacco femmina

Model of the "T"
 T90R= coupler male
 T90F= coupler female

Modèle du raccord
 T90R=débouchure mâle
 T90F=débouchure femelle

K150 T90R_I 130

I = mono parete inox 316
 D = linea legna/pellet colore nero
 G = linea legna/pellet colore grigio
 K = doppia parete
 R = doppia parete rame
 PY = doppia parete acciaio colore nero
 RY = doppia parete acciaio colore rame

I = single wall stainless steel 316
 D = wood/pellet line black color
 G = wood/pellet line GREY color
 K = double wall
 R = double wall copper
 PY = double wall steel black color
 RY = double wall steel copper color

I = simple paroi inox 316
 D = gamme bois/pellet couleur noir
 G = gamme bois/pellet couleur grise
 K = double paroi
 R = double paroi cuivre
 PY = double paroi acier couleur noir
 RY = double paroi acier couleur cuivre

K = doppia parete
 R = doppia parete rame
 PY = doppia parete acciaio colore nero
 RY = doppia parete acciaio colore rame

K = double wall
 R = double wall copper
 PY = double wall steel black color
 RY = double wall steel copper color

K = double paroi
 R = double paroi cuivre
 PY = double paroi acier couleur noir
 RY = double paroi acier couleur cuivre

Finiture disponibili - Available finishes - Finitions disponibles

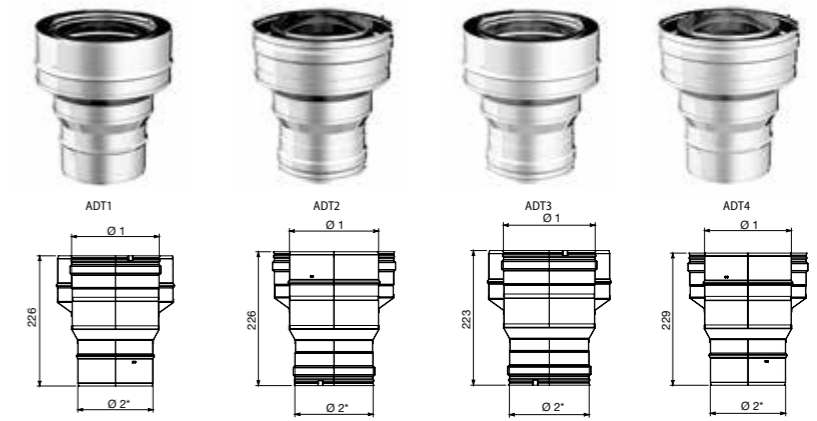
Ø	F.08 - INOX	F.09 - RAME	F.10 - NERO	F.11 - COL. RAME	L*	L1	L2	📦
	SS - INOX	COPPER - CUIVRE	BLACK - NOIR	COL. COPPER - COUL. CUIVRE				
100					325	70-90 mm	164	1
130					325	70-90 mm	164	1
150					495	70-90 mm	249	1
180					495	70-90 mm	249	1
200					495	70-90 mm	249	1
250					495	70-90 mm	249	1
300					495	70-90 mm	249	1
350					495	70-90 mm	249	1

L1* = 70 mm per linee legna/pellet - 70 mm for wood/pellet lines - 70 mm pour gammes bois/pellet
 L1* = 90 mm per linee inox - 90 mm for stainless steel lines - 90 mm pour gammes inox

Per formulare il prezzo, considerare il diametro del raccordo a "T" (Ø1)
 To calculate the price, consider the diameter of the "T" pipe fitting (Ø1)
 Pour formuler le prix, considérer le diamètre du raccord à "T" (Ø1)

ADT1/2/3/4

Adattatore speciale
 Special adaptor - Adaptateur sur mesure



* Ø2 a scelta / Ø2 to be chosen / Ø2 à choisir

Componi così il tuo codice
 Compose your code in this way
 Composez votre code de cette façon

Modello adattatore
 Model of the adaptor
 Modèle de l'adaptateur

I = mono parete inox 316
 D = linea legna/pellet colore nero
 G = linea legna/pellet colore grigio
 I = single wall stainless steel 316
 D = wood/pellet line black color
 G = wood/pellet line grey color
 I = simple paroi inox 316
 D = gamme bois/pellet couleur noir
 G = gamme bois/pellet couleur grise

K150 ADT1_I 130

Adattatore doppia parete
 Double wall adaptor
 Adaptateur double paroi

K = Dynamic Two
 R = Dynamic Two Rame
 PY = Dynamic Two col. nero
 RY = Dynamic Two col. rame

K = Dynamic Two
 R = Dynamic Two Copper
 PY = Dynamic Two black color
 RY = Dynamic Two copper color

K = Dynamic Two
 R = Dynamic Two Cuivre
 PY = Dynamic Two coul. noir
 RY = Dynamic Two coul. cuivre

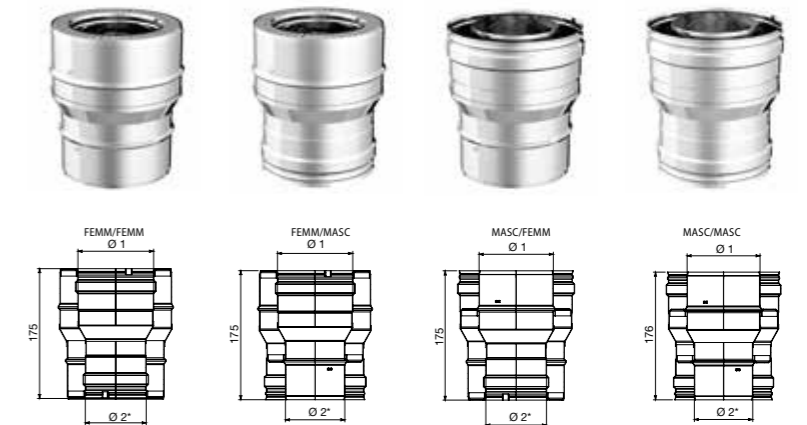
Finiture disponibili - Available finishes - Finitions disponibles

Ø	F.08 - INOX	F.09 - RAME	F.10 - NERO	F.11 - COL. RAME	📦
	SS - INOX	COPPER - CUIVRE	BLACK - NOIR	COL. COPPER - COUL. CUIVRE	
100					1
130					1
150					1
180					1
200					1
250					1
300					1
350					1

Per formulare il prezzo, considerare il diametro doppia parete Ø1
 To formulate the price, consider the double wall diameter Ø1
 Pour formuler le prix, considérer le diamètre double paroi Ø1

RID

Riduttore maggioratore speciale
 Special reducer enlarger
 Réduction augmentation sur mesure



* Ø2 a scelta / Ø2 to be chosen / Ø2 à choisir

Componi così il tuo codice
 Compose your code in this way
 Composez votre code de cette façon

Riduzione
 doppia parete
 Double wall reducer
 Réduction double paroi

K = Dynamic Two
 R = Dynamic Two Rame
 PY = Dynamic Two col. nero
 RY = Dynamic Two col. rame

K = Dynamic Two
 R = Dynamic Two Cuivre
 PY = Dynamic Two coul. noir
 RY = Dynamic Two coul. cuivre

KRID 150 M 100 F

M = maschio
 F = femmina
 M = male/F = female
 M = mâle/F = femelle

Finiture disponibili - Available finishes - Finitions disponibles

Ø	F.08 - INOX	F.09 - RAME	F.10 - NERO	F.11 - COL. RAME	📦
	SS - INOX	COPPER - CUIVRE	BLACK - NOIR	COL. COPPER - COUL. CUIVRE	
100					1
130					1
150					1
180					1
200					1
250					1
300					1
350					1

Per formulare il prezzo, considerare Ø1
 To calculate the price, consider Ø1
 Pour formuler le prix, considérer Ø1